

DELUXE **DL** *LIVING*

**FREESTANDING BATHTUB
INSTALLATION GUIDE**

PRECAUTIONS

Pre-installation

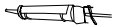
Before beginning the installation of this product, ensure all parts are present. If any part is missing or damaged, do not attempt to install the product. Contact Customer Service for replacement parts.

Please read all instructions carefully before proceeding with installation.

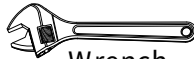
Due to the complexity of the installation procedure a professional plumber is required. Specifications may change without notice.

*DELUXE **DL** LIVING*

REQUIRED TOOLS AND MATERIALS



Silicone



Wrench



Pencil



Measurement

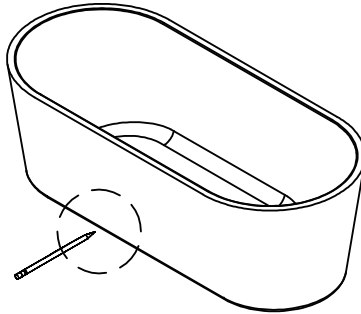


Level Bar

INSTALLATION

1

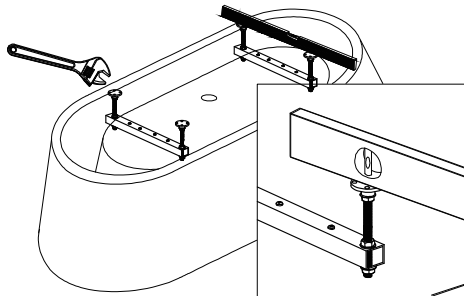
Move the bathtub into the desired location and mark on the floor along bathtub's bottom



2

Set the bathtub upside down on a flat surface. Loosen the nuts and washers from the metal frame. Adjust the level feet to align with bathtub's bottom as well as level the tub with the floor and then tighten the washers and nuts.

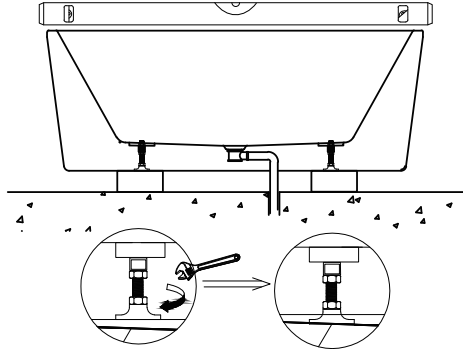
*Only if the Free Standing Bath is level will all water drain to the waste outlet. Please ensure legs are adjusted in line with the base of bath.
Check that bath sits flat. A non-level bath may not drain correctly.



INSTALLATION

3

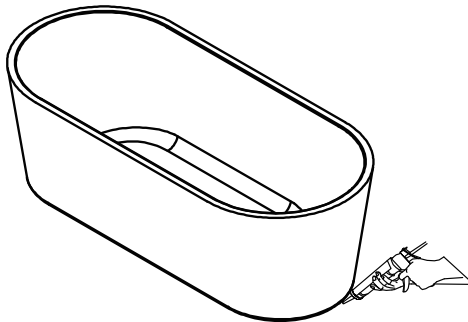
Move the bathtub back into the desired locations and put the drain hose (not include) into the floor drain.



4

Apply a thick bead of silicone within bath outline allow to set 24 hours.

This installation guide, the installation of waste connection should be only suitably by qualified person.



CARE AND MAINTENANCE

Cleaning and Care

Cleaning Acrylic Surfaces: Do not use abrasive cleansers on any acrylic surfaces, as they will scratch and dull the surface. Wipe out the bath after each use to prevent a build-up of soap and scum.

If the acrylic surface becomes dull, an automotive type rubbing compound may be used on the unit, followed by an application of paste wax.

MAINTENANCE

ONE-YEAR LIMITED WARRANTY

DELUXE LIVING extends the above warranty for a period of one (1) year to purchasers of products for industrial, commercial, and business use. All incidental or consequential damages are specifically excluded. No additional warranties, express or implied, are given, including but not limited to any implied warranty of merchantability or fitness for a particular purpose. Some states do not allow the exclusion or limitation of incidental or consequential damages or limitations on how long an implied warranty lasts, so the above limitations or exclusions may not apply to you. This warranty gives you specific legal rights, and you may also have other rights which vary from state to state.

Questions, problems, missing parts?

If you are missing any part, please stop and contact us immediately.

Contact Email address: sales@deluxelivinghome.com

Or call our customer service department 1-888-680-0215 at 9 a.m.-5 p.m. , Monday - Friday.

Visit Website: <http://www.deluxelivinghome.com> for more details.

DELUXE **DL** *LIVING*